

臺灣話..... 3

English 11



目錄

供貨範圍	3
按規定使用	3
環境保護	3
安全	4
設備說明	6
安裝	6
調試	6
運行	7
運輸	8
存放	8
維護和保養	9
故障說明	9
備件	10
品質保證	10
技術參數	10

親愛的客戶：



在您第一次使用您的設備前，請先閱讀並遵守本操作說明書原件，為日後使用或其他所有者使用方便請妥善保管本說明書。

供貨範圍

設備的供貨範圍都已繪製在包裝上。打開包裝時請檢查產品是否齊全。如有附件缺失或在運輸過程中損壞，請聯繫經銷商。

按規定使用

本高壓清潔器只限私人居家日用。

- 使用高壓噴水清潔機器、汽車、建築物、工具、牆面、露臺、園林工具等（需要時加清潔劑）。
- 使用經 KÄRCHER 許可的附件、備件以及洗滌劑。注意清潔劑隨附的提示。

另外要求

- ➔ 進水軟管
- 直徑至少為 1/2 英寸 (13 mm)
- 長度至少為 7.5 m

環境保護

內部材料提示 (REACH)

最新的內部材料資訊請您在如下鏈接中查找：

www.kaercher.de/REACH



包裝材料可以回收利用。請採用環保方式對包裝進行廢棄處理。



舊的裝置中含有可再利用之寶貴材料，應加以利用。請採用環保方式對舊的裝置進行廢棄處理。



產生含油廢水的清洗工作，如清洗髮動機和地坑，只允許在配有油分離器的清洗場所對其進行清洗。



只允許在與排汙系統相連的不滲透的工作臺上，使用洗滌劑執行作業。不要將洗滌劑排放到河道或土壤中。

安全

- 除本作業說明書中之提示外，還必須遵守立法機關之一般安全和事故預防規定。
- 安放於裝置上之警示和提示標識給出了用於確保安全運行之重要提示。

危險等級

△ 危險

提示會導致人員重傷或死亡的直接威脅性危險。

△ 警告

提示可能導致人員重傷或死亡的危險狀況。

△ 小心

提示可能導致輕度傷害的危險狀況。

注意

提示可能產生財產損失的危險狀況。

設備上的符號



本設備不允許直接連接到公共飲用水網。



高壓水柱不能對準人、動物、電器設備或者設備自身噴射。
設備防寒保護。

電氣部件

△ 危險

電擊危險。

- 絕不能用濕手觸及電源插頭或者插座。
- 每次運行前都要測試一下帶插頭的電源連接導線是否有損壞。損壞的電源連接導線應立即讓已授權的客戶服務處 / 電氣專業人員進行更換。不得使用帶受損電源連接導線的設備。
- 所有工作領域內的電氣部件都必須防水。
- 電源插頭和延長線纜的連接器必須確保防水且不可置於水中。此外不能將連接器置於地面。建議使用確保插座離地面至少 60 毫米的電纜軸。
- 注意電源接線或延長線纜不要受到碾壓、擠壓、硬拉或類似行為而遭損傷或損壞。防止電源線纜受熱、油和尖銳棱角的損壞。
- 在進行所有維護和保養工作前關閉本設備並拔下電源線。

- 只允許接受過授權的客戶服務人員進行維修工作和在電氣零部件上進行工作。

△ 警告

- 本設備只能根據 IEC 60364 由電工連接到電氣接頭。
- 設備只能連接到交流電上。電壓必須跟設備型號標牌上給出的電壓一致。
- 防護等級 I - 僅允許將裝置連接至已正確接地之電源上。
- 出於安全考慮，原則上我們建議通過一個故障電流保護開關（最大 30 mA）使用該設備。
- 加長電線如不合適，將帶來危險。室外請只使用經過許可並相應進行了標識且具有足夠橫截面積之加長電線：
1 - 10 m 1.5 mm² ;
10 - 30 m 2.5 mm²
- 延長線纜總是從電纜軸上完全展開。

安全處理

△ 危險

- 用戶必須按規定使用本設備。同時要重視地方現行的規定並在設備工作時照看好場所內的人員。
- 每次使用前檢查重要部件，如高壓軟管、手持噴槍和安全裝置是否受損。立即更換受損部件。不得使用帶受損部件的設備。
- 如果使用不當，高壓水束可帶來危險。水束不得對準人、動物、正在使用的電器裝備或者設備本身。
- 高壓水柱不可對準自己或他人噴射以清洗衣服或鞋襪。
- 汽車輪胎 / 輪胎閥門可能被高壓水柱沖壞並爆裂。對此損壞的首要徵兆就是輪胎變色。受損的汽車輪胎 / 輪胎閥門可能帶來生命危險。清洗時至少與水柱保持 30 釐米距離！
- △ 警告
- 如射程範圍內有其他人，除非他們穿上防護服，否則不得使用本設備。
- 兒童或未經指導的人員都不準操作本設備。
- 本設備不得讓那些身體能力有限、感官能力弱或理解能力差或者缺乏經驗和 / 或缺乏知識的人員使用，除非他們有專人監督或接受專人指導如何操作設備並瞭解其可能產生的危險。
- 兒童不得玩耍本設備。

- 照看好兒童，以確保他們不用設備玩耍。
- △ **小心**
 - 用設備或在設備上進行任何作業前要先確保設備的穩定性，以避免因設備翻倒而導致的事務或故障發生。
 - 通過高壓噴嘴上噴出的水束而對手持噴槍產生反衝力。注意保持安全可靠的狀態，緊握高壓噴槍和噴射管。
 - 設備運行期間不可無人看管。

注意

- 若工休時間比較長，關閉設備總開關。
- 溫度低於 0 °C 時無法運行機器。

其他危險

△ 危險

- 禁止在有爆炸危險的區域內運行本設備。
- 不要噴射含危害健康物質（如石棉）的物品。
- 不得噴射可燃液體。
- 絕不使用設備抽吸具有溶媒性質的液體或未經稀釋的酸和溶劑！此外還有汽油、顏料稀釋劑或燃油等。極度易燃、易爆且有有毒的噴霧。不使用丙酮、未經稀釋的酸和溶劑，因為它們會侵蝕設備上使用的材料。
- 讓兒童遠離包裝薄膜，否則會有窒息危險！

△ 警告

- 根據有效的使用說明規定，該設備在沒有系統分離器的情況下不能在飲用水網上使用。請確保您用於連接運行高壓清洗機之家庭用水裝置接口上配備了滿足 EN 12729 Typ BA 之系統分離器。
- 流經系統分離器的水不再視為飲用水。
- 高壓軟管、水龍頭和連接器對機器安全十分重要。只能使用生產商推薦的高壓軟管、水龍頭和連接器。
- 分離進水管或高壓軟管時，在此操作後熱水可從接頭中流出。

△ 小心

- 在選擇存放地點和在運輸時應注意裝置之重量（參見技術參數），避免發生事故或造成傷害。

使用清潔劑的清洗作業

△ 警告

- 本設備只能使用製造商提供或推薦的洗滌劑。使用其他的洗滌劑或化學試劑會影響設備的安全性。
- 錯誤使用洗滌劑可能會導致重傷或中毒。
- 將清潔劑儲存於兒童夠不到之地方。

個人防護裝備

△ 小心

- 請穿戴合適的防護服和防護鏡，以防止使用時從被清潔物體表面濺出的水漬或污漬。
- 使用高壓清洗機時可能產生氣溶膠。吸入氣溶膠可能危害健康。依照應用情形，可以選用完全遮罩之噴嘴（例如表面清潔器）進行高壓清洗，這樣可以明顯降低水性氣溶膠之排放。並非所有應用情形都能夠使用這種遮罩方式。當無法使用完全遮罩之噴嘴時，應依照待清潔之環境條件，使用 FFP 2 或同等級之呼吸器。

安全裝置

△ 小心

- 安全裝置用於保護使用者，不得更改或不讓其發揮功能。

設備開關

設備開關是為了防止設備誤啟動。

手持噴槍安全制動裝置

安全制動裝置鎖止水槍控制杆並防止設備被誤啟動。

帶壓力開關的溢流閥

溢流閥阻止壓力超過允許的工作壓力。當鬆開手持噴槍的控制杆，壓力開關關閉泵，高壓噴射停止。拉上控制杆，泵又被開啟。

設備說明

圖片參見第 2 頁

- 1 帶安裝有濾網的水接頭
- 2 水接頭聯軸器
- 3 水管接頭
- 4 高壓接頭
- 5 產品開關 “0/OFF” / “I/ON”
- 6 噴射管保存裝置
- 7 手提柄
- 8 洗滌劑抽吸軟管（帶過濾嘴）
- 9 電源連接導線帶插頭
- 10 手持噴槍
- 11 手持噴槍安全制動裝置
- 12 高壓軟管夾
- 13 高壓軟管
- 14 噴射管帶高壓噴嘴
適用於一般的清潔任務。

**** 未包含在供貨範圍內。**

- 15 進水軟管

特殊配件

特殊附屬配件的使用可延長設備的使用壽命。詳細事項請聯繫您的 KÄRCHER 經銷商。

安裝

調試前將鬆散附加的部件裝配到設備上。

圖片參見第 2 頁

圖 A

→ 將聯軸器擰緊到設備水接頭上。

圖 B

→ 將高壓軟管的夾子從手持噴槍上取出。

圖 C

→ 將高壓軟管與噴槍連接。

→ 卡入管夾直至穩固。拉高壓軟管以檢查是否安全連接。

調試

→ 將設備置放在平坦地面上。

圖 D

→ 將高壓軟管連接至設備高壓軟管部位。

→ 將電源插頭插到插座中。

水管供水

接頭資料參見銘牌 / 技術參數。

注意自來水供應公司的各項規定。

注意

水中的汙物可能損壞高壓泵和附件。為此建議使用 KÄRCHER 水過濾器（特殊附件，訂貨號 4.730-059）進行保護。

圖 E

→ 將進水軟管插到水接頭的聯軸器上。

圖 F

→ 將進水軟管插到水接頭的聯軸器上。

→ 將進水軟管連接到供水管上。

→ 完全打開水龍頭。

運行

注意

幹運轉（不加潤滑油）2 分鐘以上會導致高壓泵損壞。設備 2 分鐘內沒有壓力形成，關閉設備並按照“故障說明”一章內的提示進行操作。

高壓運行

△ 小心

清洗塗漆表面時至少與水柱保持 30 釐米距離，以避免損壞。

圖 G

- 將噴射管置入噴槍後成 90° 旋轉固定。
- 將設備設定為“I/ON”。
- 放開手持噴槍的控制杆。
- 當拉住控制杆，設備接通。
提示：鬆開控制杆停止設備。高壓殘留於系統內。

帶洗滌劑運行

警示：僅允許用低壓混合洗滌劑。

△ 危險

使用洗滌劑時，請注意洗滌劑製造商的安全資料表，尤其是有關個人防護裝備的提示。

- 自機殼內拉出所需長度的洗滌劑吸取軟管。
- 把洗滌劑抽吸軟管掛到裝有洗滌劑溶液的容器上。
- 將噴射管從手持噴槍上拆開。僅用噴槍運作。
提示：由此，使用時洗滌劑溶解物混入噴出的水柱之中。

推薦的洗滌方法：

- 在乾燥的表面上少量噴射清潔劑，讓清潔劑在表面發生反應，但不要使之變幹。
- 溶解的汗跡用高壓噴掉。

中斷運行

- 鬆開手持噴槍的控制杆。
- 解鎖手持噴槍的控制杆。
- 如長時間（5 分鐘以上）運作中斷時，將設備開關設定為“0/OFF”。

結束運行

△ 小心

當系統中無可用壓力，就要把高壓軟管從手持噴槍或設備上拆下來。

- 用洗滌劑作業後：設備開動約 1 分鐘直至沖洗乾淨。
- 鬆開手持噴槍的控制杆。
- 將設備設定為關閉“0/OFF”。
- 電源插頭從插座上拔出。
- 關閉水龍頭。
- 按壓手持噴槍控制杆以除去在設備系統中殘留的壓力。
- 解鎖手持噴槍的控制杆。
- 自供水處分離設備。

運輸

△ 小心

受傷和損壞危險！

運輸時遵守裝置重量相關規定。

手動搬運

- 握住手提柄拉高並提起設備。

車輛運輸

- 確保設備不會滑倒和傾覆。

存放

△ 小心

受傷和損壞危險！

存放時遵守裝置重量相關規定。

吸塵器保管

長期存放之前，如在冬季特別要注意維護一章的提示。

- 將設備置放在平坦地面上。
- 將噴射管卡入噴射管保存裝置。
- 將電源連接導線和其餘配件整齊放在設備上。

防凍

注意

霜凍會損壞未完全清空的清潔器和附件。

完全清空設備和附件，防止霜凍損害。

避免損害：

- 完全排空清潔器中的水：打開不帶高壓軟管和供水連接裝置的設備（最多 1 分鐘），等待直至高壓連接部位不再有水溢出為止。關閉設備。
- 機器及所有附件應在防霜的室內保管。

維護和保養

△ 危險

電擊危險。

- 在裝置上進行工作前，關閉裝置且拔出電源插頭。

清洗水接頭中之濾網

定期清洗水接頭中之濾網

- 移除水接頭聯軸器。

注意

濾網不能損壞

圖

- 用平嘴鉗取出濾網。
- 置於自來水下進行清洗。
- 將濾網放入水接頭中。

清洗洗滌劑過濾器

在長期儲存（如冬季）前：

- 取下清潔劑抽吸軟管中的過濾器並用流動的自來水清洗。

故障說明

通過下面的簡介，您可以自行排除小的故障。

如有疑問，請聯繫公司授權的客戶服務中心。

△ 危險

電擊危險。

- 在裝置上進行工作前，關閉裝置且拔出電源插頭。

設備無法運轉

- 當拉住手持噴槍的控制杆，設備接通。
- 檢查銘牌上的電壓說明是否與電源電壓一致。
- 檢查電源連接導線是否受損。

設備無法啟動，電機轟鳴

由於弱電網或使用延長線纜時的電壓降落。

- 開關時首先拉手持噴槍控制杆後將設備開關設定為「I/ON」。
- 開關時首先拉手持噴槍控制杆後將設備開關設定為「I/ON」或「eco」。

設備無壓力

- 檢查供水管輸送量是否充足。
- 用平嘴鉗取出水接頭中的濾網並將其置於自來水下進行清洗。
- 將清潔器排氣：不連接高壓軟管接通設備並等待（最多 2 分鐘），直至流出高壓接頭的水沒有氣泡產生。關閉設備並重新連接上高壓軟管。

強烈電壓波動

- 高壓噴嘴清洗：噴嘴裡的汙物用針進行清除並用水在前面沖洗乾淨。
- 檢查進水量。

設備不密封

- 在技術方面可能存在高壓泵少許漏水的情況。漏水量較大時請聯繫本公司認可的客戶服務中心。

不吸入洗滌劑

- 將噴射管從手持噴槍上拆開。僅用噴槍運作。
- 清洗清潔劑吸入軟管上的過濾器。
- 檢查清潔劑抽吸軟管是否扭結。

備件

請只使用 KÄRCHER 的原始備件。本操作說明書後面附有一份備件目錄。

品質保證

我們的主管銷售公司所發佈的品質保證條件每個國家均適用。在品質保證期內，如果您的產品發生了任何故障，我們都將為您提供免費維修，但是這種故障應當是由於機身材料或製造上的缺陷造成的。如屬品質保證情況，請憑發票聯繫貴方經銷商或就近聯繫獲得授權的客戶服務點。

位址可在如下鏈接中查找：

www.kaercher.com/dealersearch

技術參數

電氣連接

電壓	110 V 1~50-60 Hz
----	---------------------

連接功率	1, 3 kW
------	---------

消耗電流	12 A
------	------

保護程度	IP X5
------	-------

保護等級	II 回
------	------

水接頭

供水（最大）	1, 2 MPa
--------	----------

進水溫度（最高）	40 ° C
----------	--------

進水量（最小）	8 升 / 分
---------	---------

功率參數

工作壓力	8 MPa
------	-------

最大允許壓力	10 MPa
--------	--------

輸送水量	5, 3 升 / 分
------	------------

最大輸送量	5, 5 升 / 分
-------	------------

清潔劑輸送量	0, 2 升 / 分
--------	------------

手持噴槍後挫力	10 N
---------	------

尺寸和重量

長度	393 mm
----	--------

寬度	171 mm
----	--------

高度	243 mm
----	--------

重量	5, 3 kg
----	---------

技術參數可能有變化。

Contents

Scope of delivery	11
Proper use	11
Environmental protection	11
Safety	12
Description of the Appliance	15
Assembly	15
Start up	15
Operation	15
Transport	16
Storage	16
Care and maintenance	17
Troubleshooting	17
Spare parts	18
Warranty	18
Technical specifications	18

Dear Customer.



Please read and comply with these original instructions prior to the initial operation of your appliance and store them for later use or subsequent owners.

Scope of delivery

The scope of delivery of your appliance is illustrated on the packaging. Check the contents of the appliance for completeness when unpacking.

In the event of missing accessories or any transport damage, please contact your dealer.

Additionally required

- Fabric-reinforced water hose
- Minimum diameter, 1/2 inches (13 mm).
- Minimum length 7.5 m.

Proper use

This high pressure cleaner is designed for domestic use only.

- for cleaning machines, vehicles, buildings, tools, facades, terraces, gardening tools, etc. by means of a high-pressure water jet (if necessary, with additional cleaning agents).
- with accessories, replacement parts and cleaning agents approved by KÄRCHER. Please observe the information accompanying the cleaning agents.

Environmental protection

Notes about the ingredients (REACH)

You will find current information about the ingredients at:

www.kaercher.com/REACH



The packaging material can be recycled. Please arrange for the environmentally appropriate disposal of the packaging.



Old appliances contain valuable recyclable materials that should be recycled properly. Please arrange for the environmentally appropriate disposal of the old devices.



Cleaning operations which produce oily waste water, e.g. engine washes, underbody washes, may only be carried out using washing stations equipped with an oil separator.



Work with detergents must only be performed on liquid-tight work surfaces with a connection to the sewer system. Do not let release detergent into waters or earth.

Safety

- Apart from the notes contained herein the general safety provisions and rules for the prevention of accidents of the legislator must be observed.
- Warnings and notes that are attached on the appliance provide important notes for the safe operation.

Hazard levels

⚠ DANGER

Pointer to immediate danger, which leads to severe injuries or death.

⚠ WARNING

Pointer to a possibly dangerous situation, which can lead to severe injuries or death.

⚠ CAUTION

Pointer to a possibly dangerous situation, which can lead to minor injuries.

ATTENTION

Pointer to a possibly dangerous situation, which can lead to property damage.

Symbols on the machine



The appliance must not be directly connected to the public drinking water network.



The high pressure jet must not be directed at persons, animals, live electrical equipment or at the appliance itself.

Protect the appliance against frost.

Electric components

⚠ DANGER

Risk of electric shock.

- Never touch the mains plug and the socket with wet hands.
- Check the power cord with mains plug for damage prior to every use. Immediately have damaged power cord replaced by an authorised customer service / electrician. Do not operate an appliance if the power cord is damaged.

- All current-conducting parts in the working area must be protected against jet water.
 - The mains plug and the coupling of an extension cable must be watertight and must never lie in water. Moreover, the coupling may never lie on the ground. The use of cable reels that ensure that the sockets are at least 60 mm above the ground is recommended.
 - Make sure that the power cord or extension cable is not damaged by running over, pinching, dragging or the like. Protect the power cords from heat, oil, and sharp edges.
 - Turn off the appliance and remove the mains plug prior to any care and maintenance works.
 - Repair work and work on the electrical components may only be performed by an authorised customer service.
- #### **⚠ WARNING**
- The appliance may only be connected to an electric supply that has been installed by an electrician in accordance with IEC 60364.
 - The appliance may only be connected to alternating current. The voltage must correspond with the type plate of the appliance.
 - Safety class I - Appliances may only be connected to sockets with proper earthing.
 - For safety reasons, we recommend that you operate the appliance only via a residual current device (max. 30 mA).
 - An unsuitable electrical extension cable can be hazardous. Only use an electrical extension cable which has been approved and labelled for this purpose and has an adequate cable cross-section outdoors: 1 - 10 m: 1.5 mm²; 10 - 30 m: 2.5 mm²
 - Always fully unreel the extension cable from the cable drum.

Safe handling

⚠ DANGER

- *The user must use the appliance as intended. The person must consider the local conditions and must pay attention to other persons in the vicinity when working with the appliance.*
- *Check important components, such as high-pressure hose, hand spray gun and safety installations, for damage prior to every operation. Immediately replace damaged components. Do not operate appliance with damaged components.*
- *High-pressure jets can be dangerous if improperly used. The jet may not be directed at persons, animals, live electrical equipment or at the appliance itself.*
- *The high-pressure jet must not be directed at other persons or the user himself/herself to clean clothing or footwear.*
- *Vehicle tyres/tyre valves are susceptible to damage from the high-pressure jet and may burst. The first indication for this is a discolouration of the tyre. Damaged vehicle tyres/tyre valves are perilous. Keep a minimum jet distance of 30 cm during cleaning!*

⚠ WARNING

- *Do not use the appliance when there are other persons around unless they are also wearing protective clothing.*
- *The appliance must not be operated by children or persons who have not been instructed accordingly.*
- *This appliance is not intended for use by persons with limited physical, sensory or mental capacities or lacking experience and/or skills, unless such persons are accompanied and supervised by a person in charge of their safety or they have received precise instructions on the use of this appliance and have understood the resulting risks.*
- *Children must not play with this appliance.*
- *Supervise children to prevent them from playing with the appliance.*

⚠ CAUTION

- *Create stability for the appliance prior to any work on or with the appliance to prevent accidents or damage.*
- *The water jet that is emitted from the high-pressure nozzle results in a repulsion power acting on the hand spray gun. Make sure that you have a firm footing and are also holding the hand spray gun and spray lance firmly.*
- *Never leave the appliance unattended as long as it is in operation.*

ATTENTION

- *In case of extended breaks, switch off the appliance at the appliance switch.*
- *Do not operate the appliance at temperatures below 0 °C.*

Other risks

⚠ DANGER

- *The appliance may not be operated in explosive atmospheres.*
- *Never use the appliance to clean objects containing hazardous substances (e.g. asbestos).*
- *Do not spray flammable liquids.*
- *Never draw in fluids containing solvents or undiluted acids and solvents! This includes petrol, paint thinner and heating oil. The spray mist is highly inflammable, explosive and poisonous. Do not use acetone, undiluted acids and solvents, as they corrode the materials used on the appliance.*
- *Keep packaging films away from children, there is a risk of suffocation!*

⚠ WARNING

- *According to applicable regulations, the appliance must never be used on the drinking water net without a system separator. Ensure that the connection of your building water installation on which the high-pressure cleaner is operated is equipped with a system separator pursuant to EN 12729 Type BA.*
- *Water that has flown through a system separator is no longer classified as drinking water.*

- *High-pressure hoses, fixtures and couplings are important for the safety of the appliance. Only use high-pressure hoses, fixtures and couplings recommended by the manufacturer.*
- *When disconnecting the supply or high pressure hose, hot water may leak from the connections after operation.*

⚠ CAUTION

- *Mind the weight of the appliance when selecting the storage location and during transport (see technical data) to prevent accidents or injuries.*

Working with detergent

⚠ WARNING

- *This appliance was designed to be used with detergents which are supplied or recommended by the manufacturer. The use of other detergents or chemicals may compromise the safety of the appliance.*
- *The improper use of detergents can cause severe injuries or toxication.*
- *Store detergents away from the reach of children.*

Personal protective equipment

⚠ CAUTION

- *Wear protective clothing and safety goggles to protect against splash back containing water or dirt.*
- *During the use of high-pressure cleaners aerosols can develop. Inhaling aerosols can cause health damage. Depending on the application, completely shielded nozzles (e.g. surface cleaner) that significantly reduce the emission of aqueous aerosols can be used for high-pressure cleaning. The use of such shielding is not possible with all applications. If the use of a completely shielded nozzle is not possible, a respirator of the category FFP 2 or the like should be used, depending on the environment to be cleaned.*

Safety Devices

⚠ CAUTION

- *Safety installations serve the protection of the user and may not be modified or bypassed.*

Appliance switch

The appliance switch prevents unintentional operation of the appliance.

Lock trigger gun

This lock locks the lever of the trigger gun and prevents the inadvertent start of the appliance.

Overflow valve with pressure switch

The overflow valve prevents the permissible working pressure from being exceeded. If the lever on the trigger gun is released the pressure switch turns off the pump, the high pressure jet is stopped. If the lever is pulled the pump is turned on again.

Description of the Appliance

Illustrations on Page 2

- 1 Water connection with integrated sieve
- 2 Coupling element for water connection
- 3 Hose coupling
- 4 High pressure connection
- 5 Appliance switch "0/OFF"/ „I/ON“
- 6 Storage for spray lance
- 7 Carrying handle
- 8 Detergent suction hose (with sieve)
- 9 Mains cable with mains plug
- 10 Trigger gun
- 11 Lock trigger gun
- 12 Clamp for high pressure hose
- 13 High pressure hose
- 14 Spray lance with high pressure nozzle
For normal cleaning tasks.

**** not included in the scope of delivery**

- 15 Water supply hose

Special accessories

Special accessories expand the possibilities of using your appliance. Please contact your KÄRCHER dealer for further information.

Assembly

Mount loose parts delivered with appliance prior to start-up.

Illustrations on Page 2

Illustration **A**

- Screw the coupling element to the water connection on the appliance.

Illustration **B**

- Pull out the clamp for the high pressure hose from the hand spray gun.

Illustration **C**

- Connect high pressure hose to trigger gun.
- Push the clamp in until it locks. Check the secure connection by pulling on the high-pressure hose.

Start up

- Park the appliance on an even surface. Illustration **D**
- Connect the high pressure hose to the high pressure connection of the appliance.
- Insert the mains plug into the socket.

Water supply from mains

For connection values, see type plate/technical data.

Observe regulations of water supplier.

ATTENTION

Impurities in the water can damage the high-pressure pump and the accessories. For protection, the use of the KÄRCHER water filter (optional accessory, order no. 4.730-059) is recommended.

Illustration **E**

- Screw the supplied garden hose connector on to the end of your water supply hose.

Illustration **F**

- Attach the water supply hose to the coupling on the water connection.
- Connect the water supply hose to the water supply.
- Completely open the water tap.

Operation

ATTENTION

Dry running of more than 2 minutes leads to damage of the high-pressure pump. If the appliance does not build up pressure within 2 minutes, switch the appliance off and proceed in accordance with the instructions in Chapter "Troubleshooting".

High pressure operation

CAUTION

Keep a distance of at least 30 cm when using the jet for cleaning painted surfaces to avoid damage.

Illustration **G**

- Push the spray lance into the trigger gun and fasten it by turning it through 90°.
- Turn on the appliance "I/ON".

- Unlock the lever on the trigger gun.
 - Pull on the lever of the trigger gun; the device will switch on.
- Note:** Release the lever of the trigger gun; the device will switch off again. High pressure remains in the system.

Operation with detergent

Note: Detergent can only be added when the device is operated in low pressure mode.

⚠ **DANGER**

When using detergents, the material data safety sheet issued by the detergent manufacturer must be adhered to, especially the instructions regarding personal protective equipment.

- Pull detergent suction hose as far as is required out of the housing.
- Suspend end of detergent suction hose in a container filled with detergent.
- Detach spray lance from the trigger gun. Work only with the trigger gun.

Note: This will mix the detergent with the water stream.

Recommended cleaning method

- Spray the detergent sparingly on the dry surface and allow it to react, but not to dry.
- Spray off loosened dirt with the high pressure jet.

Interrupting operation

- Release the lever on the trigger gun.
- Lock the lever on the trigger gun.
- During longer breaks (more than 5 minutes), also turn the appliance off using the "0/OFF" switch.

Finish operation

⚠ **CAUTION**

Only separate the high-pressure hose from the hand spray gun or the appliance when there is no pressure in the system.

- After operation with detergent: Run the machine for approximately 1 minute for a clear rinse.
- Release the lever on the trigger gun.

- Turn off the appliance "0/OFF".
- Disconnect the mains plug from the socket.
- Turn off tap.
- Press the lever on the trigger gun to release any remaining pressure in the system.
- Lock the lever on the trigger gun.
- Detach the appliance from the water supply.

Transport

⚠ **CAUTION**

*Risk of personal injury or damage!
Mind the weight of the appliance during transport.*

When transporting by hand

- Lift appliance by the carrying handle and carry it.

When transporting in vehicles

- Secure the appliance against shifting and tipping over.

Storage

⚠ **CAUTION**

*Risk of personal injury or damage!
Consider the weight of the appliance when storing it.*

Storing the Appliance

Prior to extended storage periods, as during the winter, also observe the instructions in the Care section.

- Park the machine on an even surface.
- Engage the spray lance in its compartment.
- Stow the power cord and the remaining accessories on the appliance.

Frost protection

ATTENTION

Appliances and accessories that are not completely drained can be destroyed by frost. Completely drain appliance and accessories and protect them against frost. To avoid damage:

- Completely drain all water from the appliance: Switch the appliance on with detached high pressure hose and detached water supply (max. 1 minute) and wait, until no more water exits at the high pressure connection. Turn off the appliance.
- Store the appliance and the entire accessories in a frost free room.

Care and maintenance

⚠ DANGER

Risk of electric shock.

- *Prior to all work on the appliance, switch off the appliance and pull the power plug.*

Clean the sieve in the water connection

Clean the sieve in the water connection regularly.

- Remove coupling from the water connection.

ATTENTION

The sieve must not be damaged.

Illustration 

- Pull the sieve out using flat pliers.
- Clean the sieve under running water.
- Reinsert the sieve into the water connection.

Cleaning the detergent filter

Prior to longer periods of storage, e.g. in the winter:

- Remove filter from suction hose for detergent and clean under running water.

Troubleshooting

You can rectify minor faults yourself with the help of the following overview.

If in doubt, please consult the authorized customer service.

⚠ DANGER

Risk of electric shock.

- *Prior to all work on the appliance, switch off the appliance and pull the power plug.*

Appliance is not running

- Pull on the lever of the trigger gun; the device will switch on.
- Check whether the voltage indicated on the type plate corresponds to the voltage of the mains supply.
- Check the mains connection cable for damages.

Appliance does not start, motor hums

Voltage reduction due to weak mains supply or when using an extension cable.

- When switching on, first pull the lever of the trigger gun and then switch the appliance switch to "I/ON".
- When switching on, first pull the lever of the hand spray gun and then switch the appliance switch to "I/ON" or "eco".

Pressure does not build up in the appliance

- Check water supply for adequate delivery rate.
- Pull out the sieve in the water connection using flat-nose pliers and clean under running water.
- Appliance ventilation: Switch the appliance on with the high-pressure hose detached and operate (max. 2 minutes) until the water exits the high-pressure connection without bubbles. Switch off appliance and reconnect high-pressure hose.

Strong pressure fluctuations

- Clean high-pressure nozzle: Remove dirt and debris from the nozzle bore, using a needle and rinse through with water from the front.
- Check water flow quantity.

Appliance is leaking

- Slight leakage from the appliance pump is normal. If the leakage increases contact the authorized customer service.

No detergent infeed

- Detach spray lance from the trigger gun. Work only with the trigger gun.
- Clean the detergent suction hose filter.
- Check the detergent suction hose for kinks.

Spare parts

Use only original KÄRCHER spare parts. You will find a list of spare parts at the end of these operating instructions.

Warranty

The warranty terms published by the relevant sales company are applicable in each country. We will repair potential failures of your appliance within the warranty period free of charge, provided that such failure is caused by faulty material or defects in manufacturing. In the event of a warranty claim please contact your dealer or the nearest authorized Customer Service centre. Please submit the proof of purchase. Addresses can be found under:
www.kaercher.com/dealersearch

Technical specifications

Electrical connection

Voltage	110 V 1~50-60 Hz
---------	---------------------

Connected load	1,3 kW
----------------	--------

Power consumption	12 A
-------------------	------

Protection class	IP X5
------------------	-------

Protective class	II □
------------------	------

Water connection

Max. feed pressure	1,2 MPa
--------------------	---------

Max. feed temperature	40 °C
-----------------------	-------

Min. feed volume	8 l/min
------------------	---------

Performance data

Working pressure	8 MPa
------------------	-------

Max. permissible pressure	10 MPa
---------------------------	--------

Water flow rate	5,3 l/min
-----------------	-----------

Max. flow rate	5,5 l/min
----------------	-----------

Detergent flow rate	0,2 l/min
---------------------	-----------

Recoil force of trigger gun	10 N
-----------------------------	------

Dimensions and weights

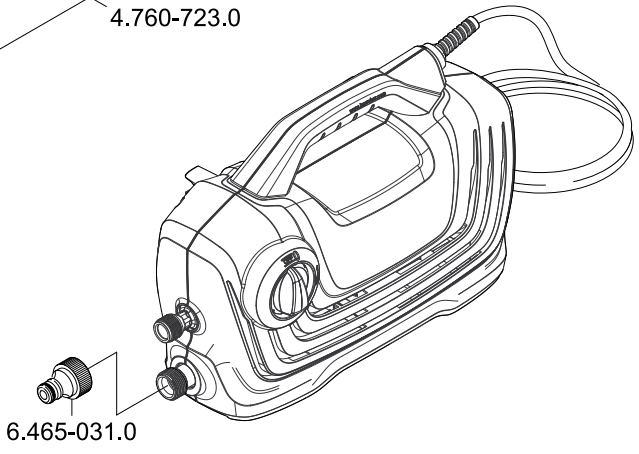
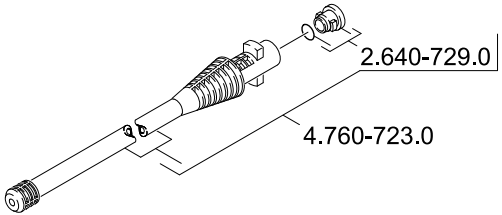
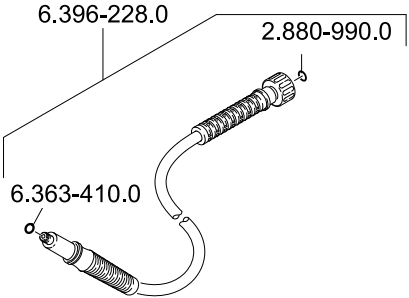
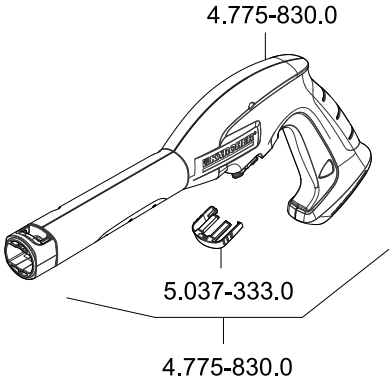
Length	393 mm
--------	--------

Width	171 mm
-------	--------

Height	243 mm
--------	--------

Weight	5,3 kg
--------	--------

Subject to technical changes.



Alfred Kärcher GmbH & Co. KG

Alfred-Kärcher-Str. 28 - 40
71364 Winnenden (Germany)
Tel.: +49 7195 14-0
Fax: +49 7195 14-2212



<http://www.kaercher.com/dealersearch>

